



YLI ELECTRONIC

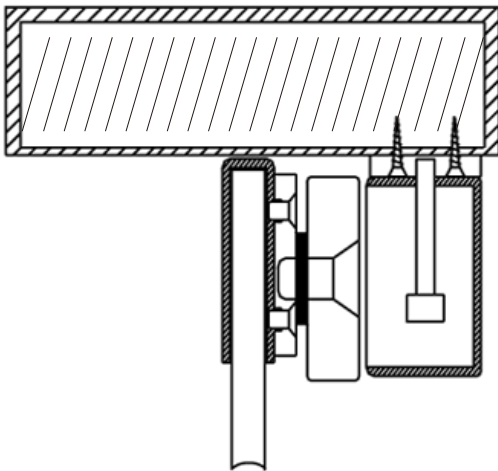


U Bracket For EM Lock

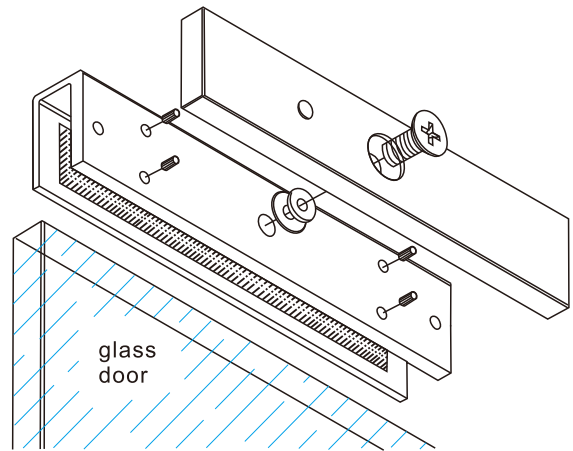
Specification

Model	Size(unit:mm)	Suitable For	Used With	Weight
MBK-70UL	75Lx40Wx28H	Frameless glass door (8-15mm)	YM-60, YM-70, YM-70-S	0.20kg
MBK-180UL	130Lx40Wx28H	Frameless glass door (8-15mm)	YM-180, YM-180-S YM-180D, YM-180D-S	0.24kg
MBK-280UL	180Lx40Wx28H	Frameless glass door (8-15mm)	YM-280, YM-280(LED), YM-280T(LED) YM-280D, YM-280D(LED), YM-280TD(LED)	0.32kg
MBK-350UL	185Lx45Wx22.5H	Frameless glass door (8-12mm)	YM-350, YM-350(LED), YM-350T(LED) YM-350, BZYM-350D, YM-350D(LED) YM-350TD(LED), YM-350DBZ	0.47kg
MBK-500UL	265Lx70Wx45H	Frameless glass door (8-15mm)	YM-500, YM-500(LED), YM-500T(LED) YM-500BZ, YM-500D, YM-500D(LED) YM-500TD(LED), YM-500DBZ	0.62kg

Installation



Pull glass door leaf(swing out)



U Bracket Installation

- If the door is glass door, need to install the U bracket.
- Use the Allen key to fix the U bracket on the glass door.
- Fix the amature plate on the U bracket.

