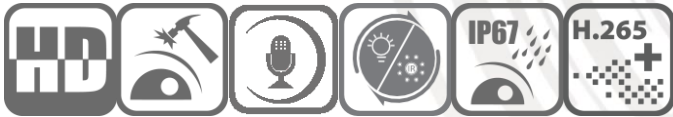


HIKVISION®

HiWatch Series

HWI-D180HA-LU

6 MP Smart Hybrid Light Fixed Dome Network Camera



- High quality imaging with 8 MP resolution
- Support Human and Vehicle Detection
- Smart Hybrid Light: advanced technology with long range
- Built-in microphone for real-time audio security
- Efficient H.265+ compression technology
- Water and dust resistant (IP67) and vandal resistant (IK08)

▪ Specification

| Camera | |
|-----------------------------|--|
| Image Sensor | 1/2.7" Progressive Scan CMOS |
| Max. Resolution | 3840 × 2160 |
| Shutter Time | 1/3 s to 1/100,000 s |
| Min. Illumination | Color: 0.01 Lux @ (F2.0, AGC ON), B/W: 0 Lux with IR |
| Day & Night | IR cut filter |
| Angle Adjustment | Pan: 0° to 355°, tilt: 0° to 75°, rotate: 0° to 355° |
| Lens | |
| Lens Type | Fixed focal lens, 2.8 and 4 mm optional |
| Focal Length & FOV | 2.8 mm, horizontal FOV 113°, vertical FOV 62°, diagonal FOV 134° 4 mm, horizontal FOV 90°, vertical FOV 49°, diagonal FOV 108° |
| Lens Mount | M12 |
| Iris Type | Fixed |
| Aperture | F2.0 |
| DORI | |
| DORI | 2.8 mm, D: 79 m, O: 31 m, R: 15 m, I: 7 m 4 mm, D: 102 m, O: 40 m, R: 20 m, I: 10 m |
| Illuminator | |
| Supplement Light Type | IR, White Light |
| Supplement Light Range | Up to 30 m |
| Smart Supplement Light | Yes |
| IR Wavelength | 850 nm |
| Video | |
| Main Stream | 50 Hz: 12.5 fps (3840 × 2160, 3200 × 1800, 2688 × 1520, 1920 × 1080, 1280 × 720) 60 Hz: 15 fps (3840 × 2160, 3200 × 1800, 2688 × 1520, 1920 × 1080, 1280 × 720) |
| Sub-Stream | 50 Hz: 12.5 fps (1280 × 720, 640 × 480, 640 × 360) 60 Hz: 15 fps (1280 × 720, 640 × 480, 640 × 360) |
| Video Compression | Main stream: H.265+/H.265/H.264+/H.264, Sub-stream: H.265/H.264/MJPEG |
| Video Bit Rate | 32 Kbps to 16 Mbps |
| H.264 Type | Baseline Profile, Main Profile, High Profile |
| H.265 Type | Main Profile |
| Bit Rate Control | CBR, VBR |
| Scalable Video Coding (SVC) | H.264 and H.265 encoding |
| Region of Interest (ROI) | 1 fixed region for main stream |
| Audio | |
| Audio Type | Mono sound |
| Environment Noise Filtering | Yes |
| Audio Sampling Rate | 8 kHz/16 kHz |
| Audio Compression | G.711ulaw/G.711alaw/G.722.1/G.726/MP2L2/PCM/AAC-LC |
| Audio Bit Rate | 64 Kbps (G.711ulaw/G.711alaw)/16 Kbps (G.722.1)/16 Kbps (G.726)/32 to 160 Kbps (MP2L2)/16 to 64 Kbps (AAC-LC) |

| Network | |
|----------------------------------|--|
| Security | Password protection, complicated password, watermark, basic and digest authentication for HTTP, WSSE and digest authentication for Open Network Video Interface, security audit log, host authentication (MAC address) |
| Simultaneous Live View | Up to 6 channels |
| API | Open Network Video Interface (Profile S, Profile T), ISAPI, SDK |
| Protocols | TCP/IP, ICMP, DHCP, DNS, HTTP, RTP, RTSP, NTP, IGMP, IPv6, UDP, QoS, FTP, SMTP, UPnP |
| User/Host | Up to 32 users 3 user levels: administrator, operator, and user |
| Client | iVMS-4200, Hik-Connect |
| Web Browser | Plug-in required live view: IE 10, IE 11, Local service: Chrome 57.0+, Firefox 52.0+, Edge 89+ |
| Image | |
| Wide Dynamic Range (WDR) | 120 dB |
| SNR | ≥ 52 dB |
| Day/Night Switch | Day, Night, Auto, Schedule |
| Image Enhancement | BLC, HLC, 3D DNR |
| Image Settings | Rotate mode, saturation, brightness, contrast, sharpness, gain, white balance, adjustable by client software or web browser |
| Privacy Mask | 4 programmable polygon privacy masks |
| Interface | |
| Ethernet Interface | 1 RJ45 10 M/100 M self-adaptive Ethernet port |
| Built-in Microphone | Yes |
| Event | |
| Basic Event | Motion detection (support alarm triggering by specified target types (human and vehicle)), video tampering alarm, exception |
| Linkage | Upload to FTP, send email, notify surveillance center, trigger capture |
| General | |
| Power | 12 VDC ± 25%, 0.5 A, max. 6 W, Ø5.5 mm coaxial power plug, reverse polarity protection, PoE: IEEE 802.3af, Class 3, max. 7.5 W |
| Material | Metal & Plastic |
| Dimension | Ø121.5 mm × 97.6 mm (Ø4.78" × 3.84") |
| Package Dimension | 150 mm × 150 mm × 141 mm (5.9" × 5.9" × 5.6") |
| Weight | Approx. 550 g (1.2 lb.) |
| With Package Weight | Approx. 800 g (1.8 lb.) |
| Storage Conditions | -30 °C to 60 °C (-22 °F to 140 °F). Humidity 95% or less (non-condensing) |
| Startup and Operating Conditions | -30 °C to 60 °C (-22 °F to 140 °F). Humidity 95% or less (non-condensing) |
| Language | English, Ukrainian |
| General Function | Heartbeat, anti-banding, mirror, password protection, password reset via email |
| Approval | |
| EMC | CE-EMC: EN 55032:2015+A1:2020, EN 50130-4:2011+A1:2014, EN IEC 61000-3-2:2019+A1:2021, EN 61000-3-3:2013+A1:2019+A2:2021 |
| Safety | CE-LVD: EN 62368-1: 2014/A11: 2017 |

| | |
|-------------|--|
| Environment | CE-RoHS: 2011/65/EU, WEEE: 2012/19/EU, Reach: Regulation (EC) No 1907/2006 |
| Protection | IP67: IEC 60529-2013 |

▪ Typical Application

Hikvision products are classified into three levels according to their anti-corrosion performance. Refer to the following description to choose for your using environment.

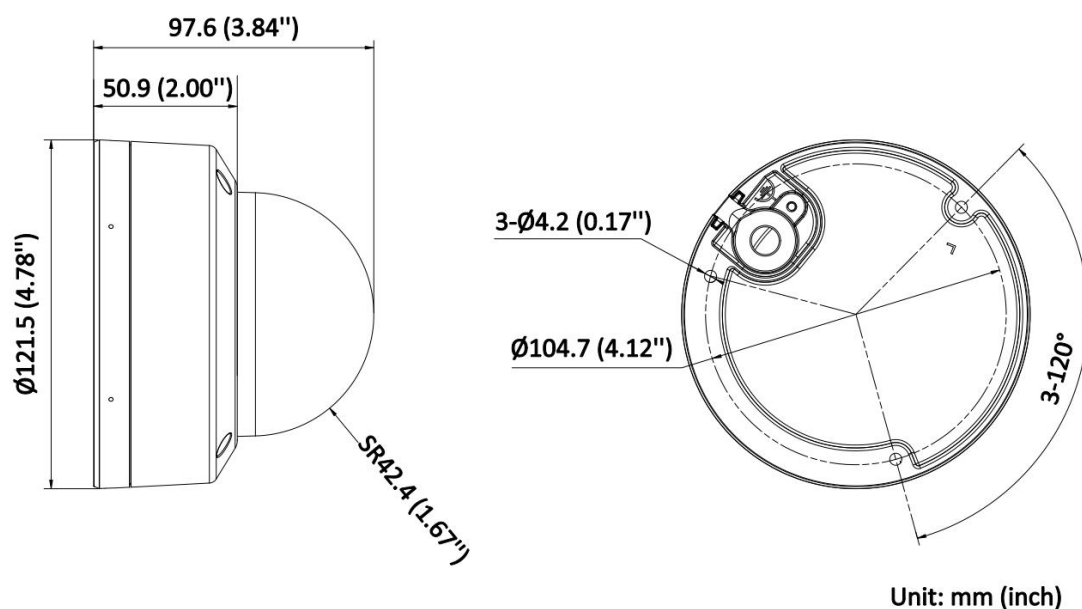
This model has NO SPECIFIC PROTECTION.

| Level | Description |
|------------------------|--|
| Top-level protection | Hikvision products at this level are equipped for use in areas where professional anti-corrosion protection is a must. Typical application scenarios include coastlines, docks, chemical plants, and more. |
| Moderate protection | Hikvision products at this level are equipped for use in areas with moderate anti-corrosion demands. Typical application scenarios include coastal areas about 2 kilometers (1.24 miles) away from coastlines, as well as areas affected by acid rain. |
| No specific protection | Hikvision products at this level are equipped for use in areas where no specific anti-corrosion protection is needed. |

▪ Available Model

HWI-D180HA-LU (2.8/4 mm)

▪ Dimension



▪ **Accessory**

▪ **Optional**

| DS-1272ZJ-120 Wall Mount | DS-1272ZJ-120B Wall Mount | DS-1271ZJ-120 Pendant Mount | DS-1275ZJ-SUS Vertical Pole Mount | DS-1276ZJ-SUS Corner Mount |
|---|---|---|---|---|
|  |  |  |  |  |
| DS-1280ZJ-DM46 Junction Box | DS-2210ZJ-WA-120 Pendant Mount | DS-2200ZJ-WA-120 Wall Mount | DS-2200ZJ-WAJ-120 Wall Mount | DS-2280ZJ-WA120 Junction Box |
|  |  |  |  |  |

Headquarters

No.555 Qianmo Road, Binjiang District,
Hangzhou 310051, China
T +86-571-8807-5998
www.hikvision.com



Follow us on social media to get the latest product and solution information.



Hikvision



HikvisionHQ



HikvisionHQ



Hikvision_Global



Hikvision
Corporate Channel



hikvisionhq